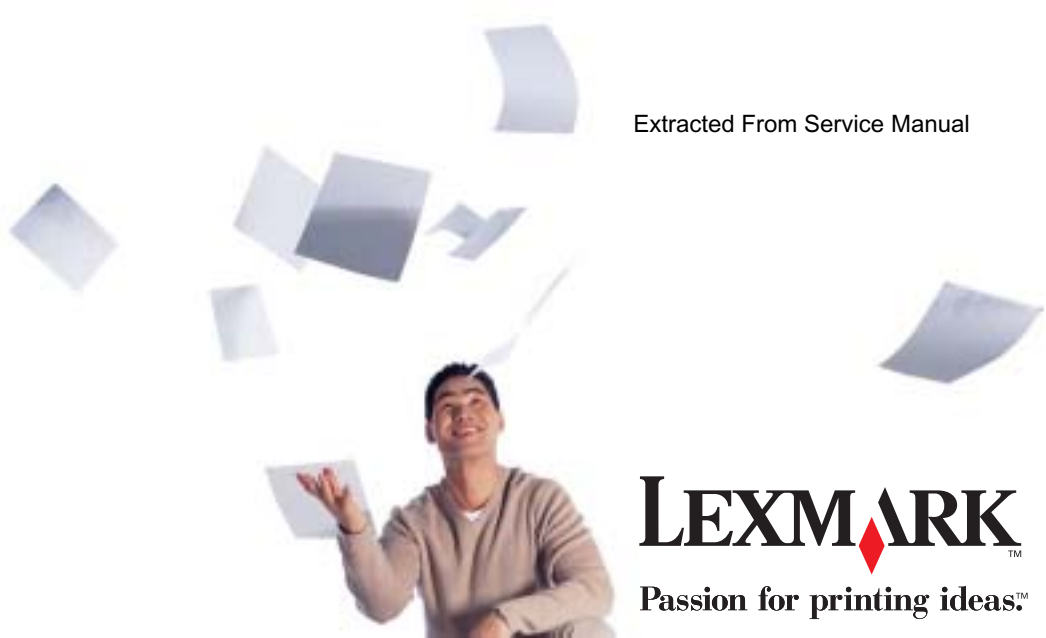


Parts Breakdown

Optra Color 1200™

5050-001

Extracted From Service Manual



LEXMARK[™]

Passion for printing ideas.[™]

First Edition (October, 1998)

The following paragraph does not apply to any country where such provisions are inconsistent with local law: LEXMARK INTERNATIONAL, INC. PROVIDES THIS PUBLICATION "AS IS" WITHOUT WARRANTY OF ANY KIND, EITHER EXPRESS OR IMPLIED, INCLUDING, BUT NOT LIMITED TO, THE IMPLIED WARRANTIES OF MERCHANTABILITY OR FITNESS FOR A PARTICULAR PURPOSE. Some states do not allow disclaimer of express or implied warranties in certain transactions, therefore, this statement may not apply to you.

This publication could include technical inaccuracies or typographical errors. Changes are periodically made to the information herein; these changes will be incorporated in later editions. Improvements or changes in the products or the programs described may be made at any time.

Comments may be addressed to Lexmark International, Inc., Department D22/035-3, 740 New Circle Road N.W., Lexington, Kentucky 40550, U.S.A. Lexmark may use or distribute any of the information you supply in any way it believes appropriate without incurring any obligation to you. You can purchase additional copies of publications related to this product by calling 1-800-553-9727. In other countries, contact your point of purchase.

Lexmark,FontVision, MarkVision, and Optra are trademarks of Lexmark International, Inc., registered in the United States and/or other countries.

Other trademarks are the property of their respective owners.

© Copyright Lexmark International, Inc. 1998.

All rights reserved.

UNITED STATES GOVERNMENT RESTRICTED RIGHTS

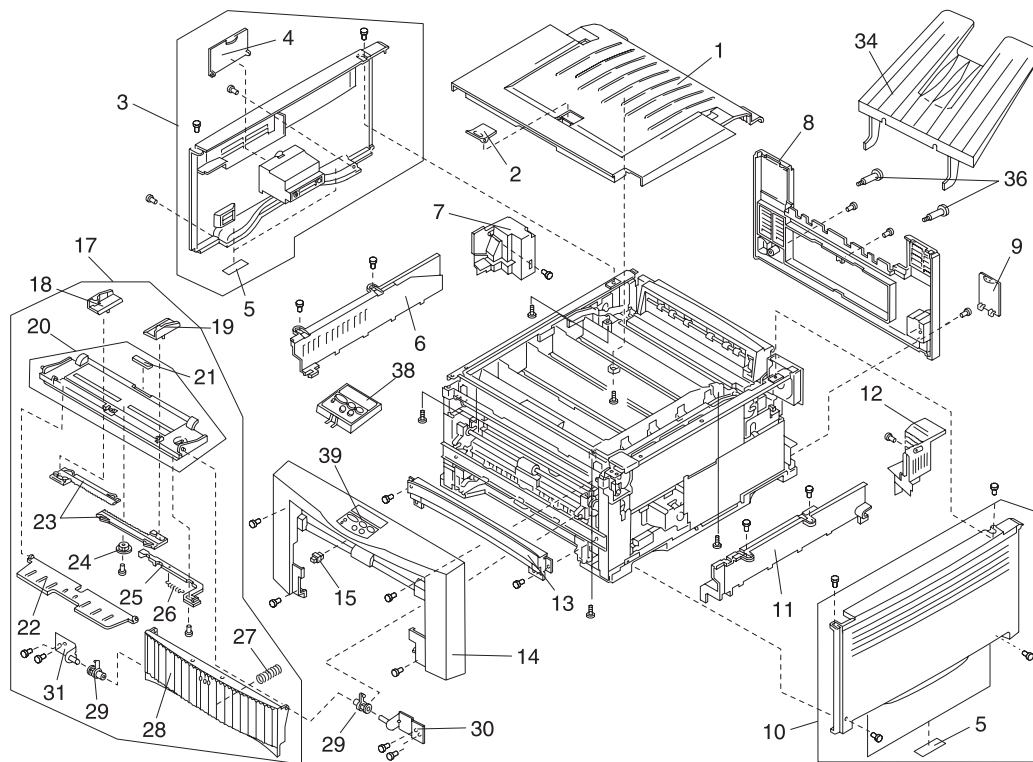
This software and documentation are provided with RESTRICTED RIGHTS. Use, duplication or disclosure by the Government is subject to restrictions as set forth in subparagraph (c)(1)(ii) of the Rights in Technical Data and Computer Software clause at DFARS 252.227-7013 and in applicable FAR provisions: Lexmark International, Inc., Lexington, KY 40550.

7. Parts Catalog

How to Use This Parts Catalog

- **SIMILAR ASSEMBLIES:** If two assemblies contain a majority of identical parts, they are shown on the same list. Common parts are shown by one index number. Parts peculiar to one or the other of the assemblies are listed separately and identified by description.
- **AR: (As Required)** in the Units column indicates that the quantity is not the same for all machines.
- **NP: (Non-Procurable)** in the Units column indicates that the part is non-procurable and that the individual parts or the next higher assembly should be ordered.
- **NR: (Not Recommended)** in the Units column indicates that the part is procurable but not recommended for field replacement, and that the next higher assembly should be ordered.
- **R: (Restricted)** in the Units column indicates that the part has a restricted availability.
- **NS: (Not Shown)** in the Asm-Index column indicates that the part is procurable but is not pictured in the illustration.
- **PP: (Parts Packet)** in the Description column indicates that the part is contained in a parts packet.
- A part reference within a circle indicates an assembly or a bill-of-material. An assembly is complete. A bill-of-material contains unassembled parts.

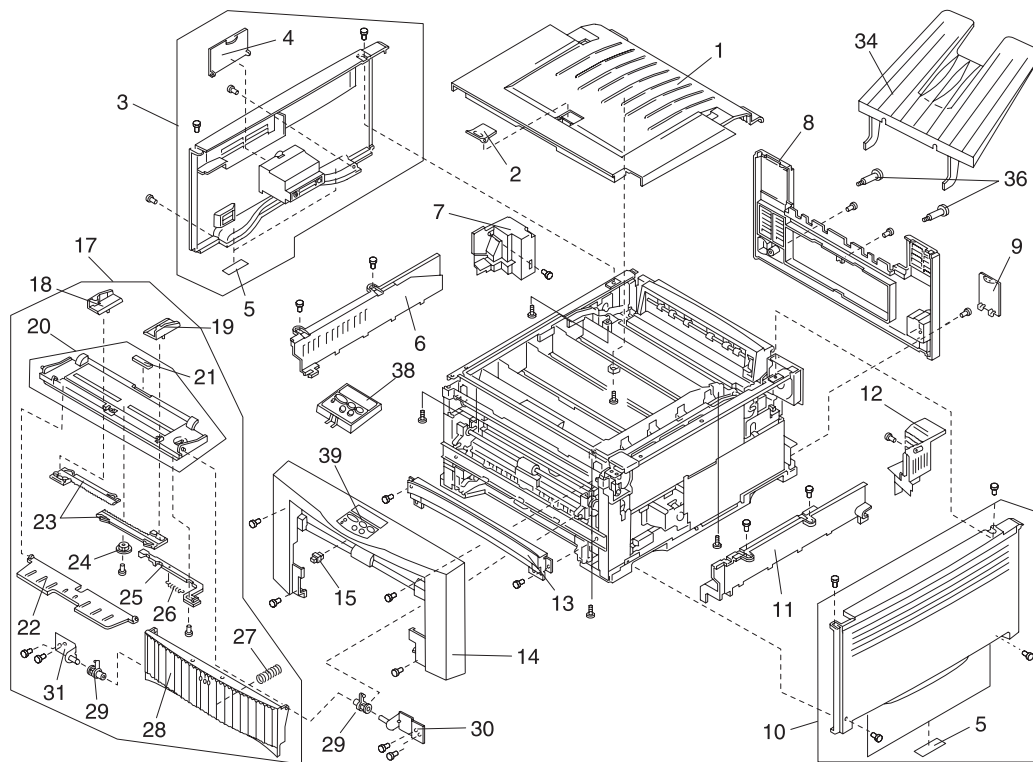
Assembly 1: Covers



Assembly 1: Covers

Ref	Part Number	Units	Description
1-1	11G0101	1	Top Cover (115 V)
-1	11G0650	1	Top Cover (230 V)
-1	11G0716	1	Top Cover (100 V) - Japan
-2	11G0102	1	Paper Stopper
-3	11G0104	1	Side Cover Asm, L
-4	11G0103	1	FC Cover
-5	11G0129	4	Rubber Plate
-6	11G0105	1	Sub Cover, L F
-7	11G0546	1	Sub Cover, L R
-8	11G0547	1	Rear Cover L, (230volt)
-8	11G0106	1	Rear Cover L, (115volt)
-8	11G0717	1	Rear Cover L, (100volt) - Japan
-9	11G0107	1	Second CN Cover
-10	11G0108	1	Side Cover, R
-11	11G0109	1	Sub Cover, R
-12	11G0552	1	Sub Cover, R
-13	11G0110	1	Front Sub Cover
-14	11G0111	1	Front Cover Asm
-15	11G0112	1	Latch
-17	11G0128	1	Mpf Asm
-18	11G0113	1	Mpf Side Location L
-19	11G0114	1	Mpf Side Location R
-20	11G0115	1	Mpf Tray (L)
-21	11G0623	1	Label, Paper Size, Mpf
-22	11G0116	1	Sub Tray
-23	11G0117	2	Mpf Rack
-24	11G0118	1	Mpf Pinion
-25	11G0119	1	Mpf Lock Lever
-26	11G0120	1	Tray Lock Spring
-27	11G0122	1	Mpf Spring
-28	11G0123	1	Mpf Cover

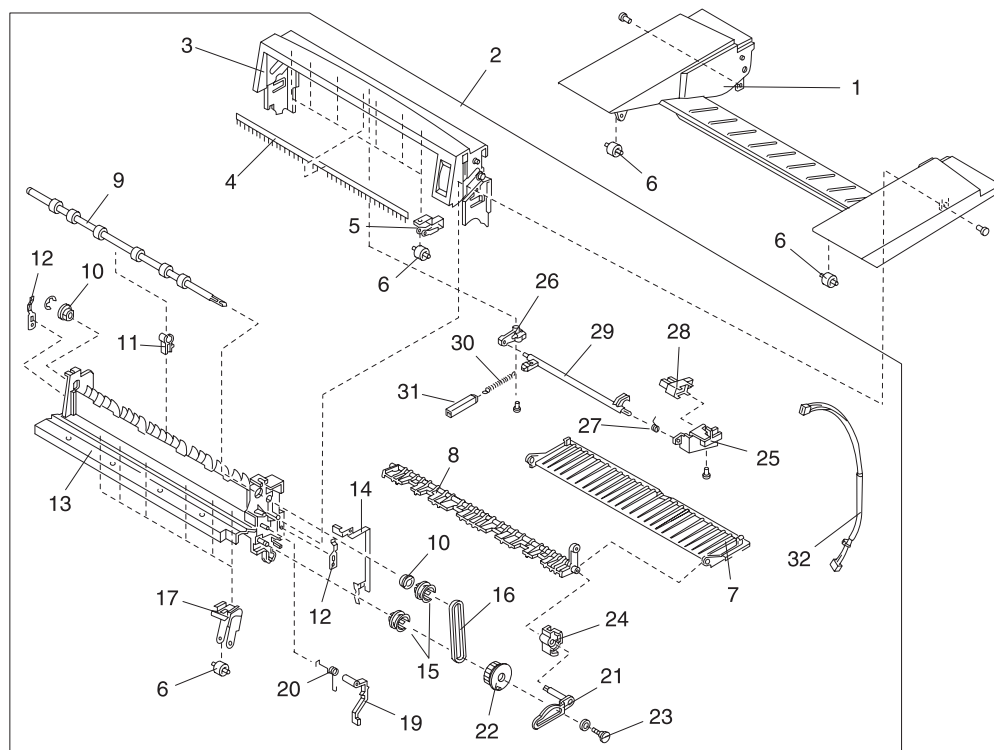
Assembly 1 (cont.): Covers



Assembly 1 (cont.): Covers

Ref	Part Number	Units	Description
1-29	11G0121	2	Mpf Holder
-30	11G0524	1	Bracket Rh Mpf Tray
-31	11G0525	1	Bracket Lh Mpf Tray
-34	11G0631	1	Rear Paper Exit Tray Asm
-36	11G0651	2	Screw, Mtg, Rear Paper Exit Tray
-38	99A0001	1	Operator Panel Asm
-39	99A0630	1	Bezel, Operator Panel
-39	99A0541	1	Bezel, Operator Panel - Japan
-NS	11G0567	1	Rating Plate, Low, (115 Volts)
-NS	11G0568	1	Rating Plate, High, (230 Volts)
-NS	11G0718	1	Rating Label, (100 Volts) - Japan
-NS	11G0623	2	Cushion, Exit Tray
-NS	11G0569	1	Screw Parts Packet #1
-NS	11G0622	1	Label, Instruction Mpt
-NS	11G0732	1	MPF Wire Extension

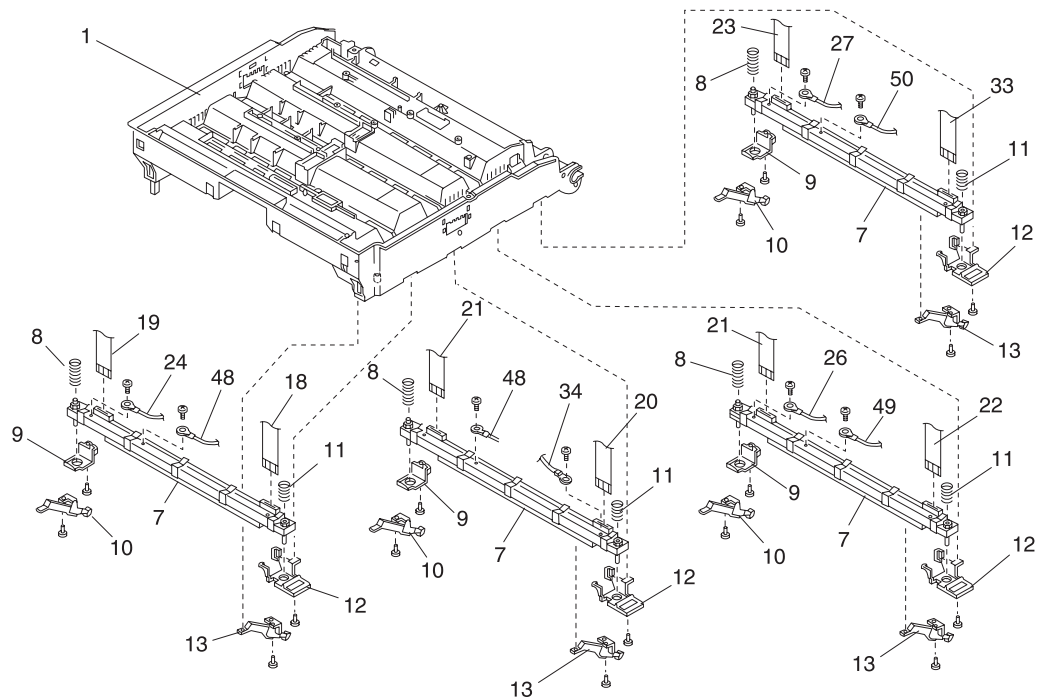
Assembly 2: Paper Exit



Assembly 2: Paper Exit

Ref	Part Number	Units	Description
2-1	11G0149	1	Paper Exit Cover H
-2	11G0151	1	Paper Exit Unit
-3	11G0131	1	Paper Exit Cover
-4	11G0150	1	Discharge Brush
-5	11G0134	6	Roller Fitting Plate, Upper
-6	11G0135	8	Paper Exit Roller
-7	11G0132	1	Feed Guide
-8	11G0133	1	Paper Delivery Flap
-9	11G0137	1	Paper Exit Shaft, Upper
-10	11G0140	2	Bushing
-11	11G0138	1	Bushing C
-12	11G0139	1	Lock Spring
-13	11G0141	1	Paper Exit Frame
-14	11G0143	1	Ground Plate, Paper Exit
-15	11G0144	2	Pulley
-16	11G0145	1	Belt
-17	11G0147	6	Lower Roller Fitting Plate
-19	11G0561	1	Clutch Lever, Paper Delivery Flap
-20	11G0507	1	Clutch Lever, Spring
-21	11G0508	1	Paper Delivery Flap Plate Shaft
-22	11G0146	1	One Way Clutch Gear, 20
-23	11G0511	1	Screw, stopper
-24	11G0136	1	Harness Cover
-25	11G0515	1	Paper Exit Feeder Base 1
-26	11G0518	1	Paper Exit Feeder Base 2
-27	11G0142	1	Switch Spring
-28	11G0563	1	Photo Interrupter, Remove Paper
-29	11G0521	1	Paper Exit Feeder Rod
-30	11G0523	1	Paper Exit Feeder Spring
-31	11G0527	1	Paper Exit Feeder Lever
-32	11G0528	1	Sensor Cable, Remove Paper
-NS	11G0566	1	Screw Parts Packet #2

Assembly 3: Upper Unit

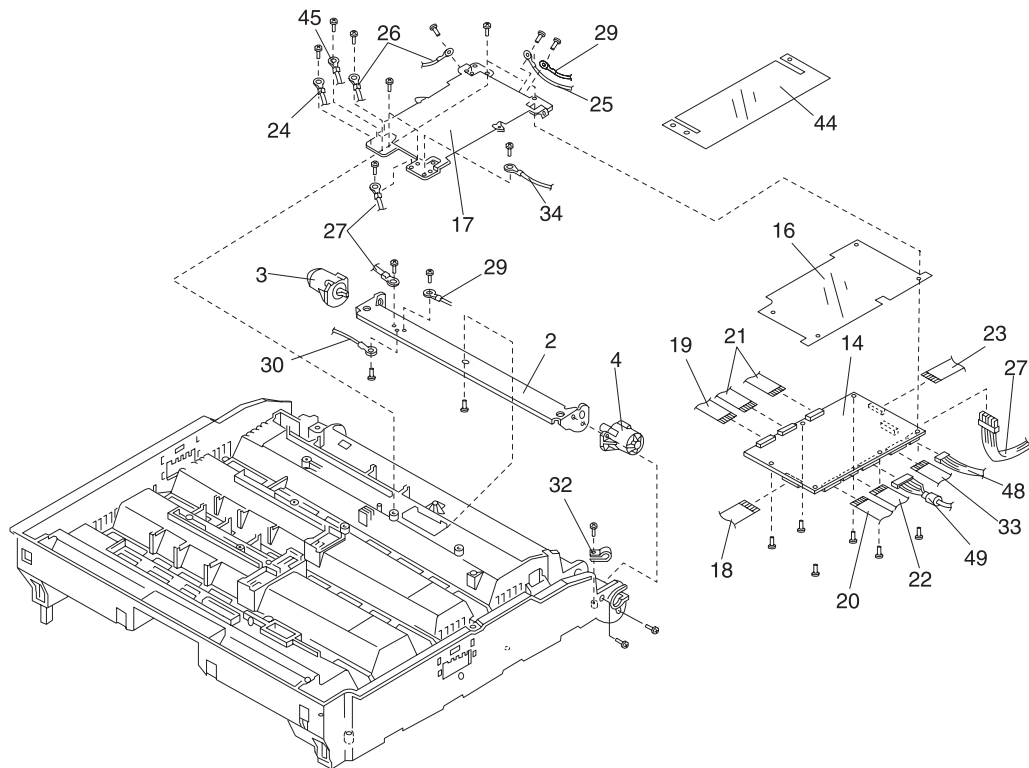


Assembly 3: Upper Unit

Ref	Part Number	Units	Description
3-1	11G0152	1	Head Frame
-7	11G0159	4	LED Head Asm, LED Head EEPROM
-7	11G0719	4	LED Head Asm, LED Head EEPROM Level 2
-8	11G0160	4	Head Spring L
-9	11G0161	4	Head Cover L
-10	11G0162	4	Pressure Base, L
-11	11G0502	4	Head Spring R
-12	11G0163	4	Head Cover R
-13	11G0164	4	Pressure Base, R
-18	11G0503	1	Head/cable (M) 115 V
-18	11G0720	1	Head Cable (M) 100 V - Japan
-19	11G0504	1	Head/cable (M) 115 V
-19	11G0652	1	Head Cable (M) 230 V
-20	11G0506	1	Head/cable (C) 115 V
-20	11G0653	1	Head Cable (C) 230 V
-21	11G0509	2	Head/cable (C) 115 V
-21	11G0654	1	Head Cable (C) 230 V
-22	11G0510	2	Head/cable (Y) 115 V
-22	11G0655	1	Head Cable (Y) 230 V
-22	11G0721	1	Head Cable (Y) 100 V - Japan
-23	11G0512	1	Head/cable (K) 115 V
-23	11G0656	1	Head Cable (K) 230 V
-24	11G0670	1	MLFG Harness
-25	11G0671	1	HDFG Harness
-26	11G0672	1	YLFG Harness
-27	11G0673	1	DLFG Harness
-32	11G0620	1	Nylon Clip
-33	11G0657	1	KRCFFC Cable, 115 V
-33	11G0658	1	KRCFFC Cable, 230 V
-34	11G0677	1	CRFG Harness
-48	11G0688	1	MCT Harness
-49	11G0689	1	YTFG Harness
-50	11G0690	1	KTFG Harness

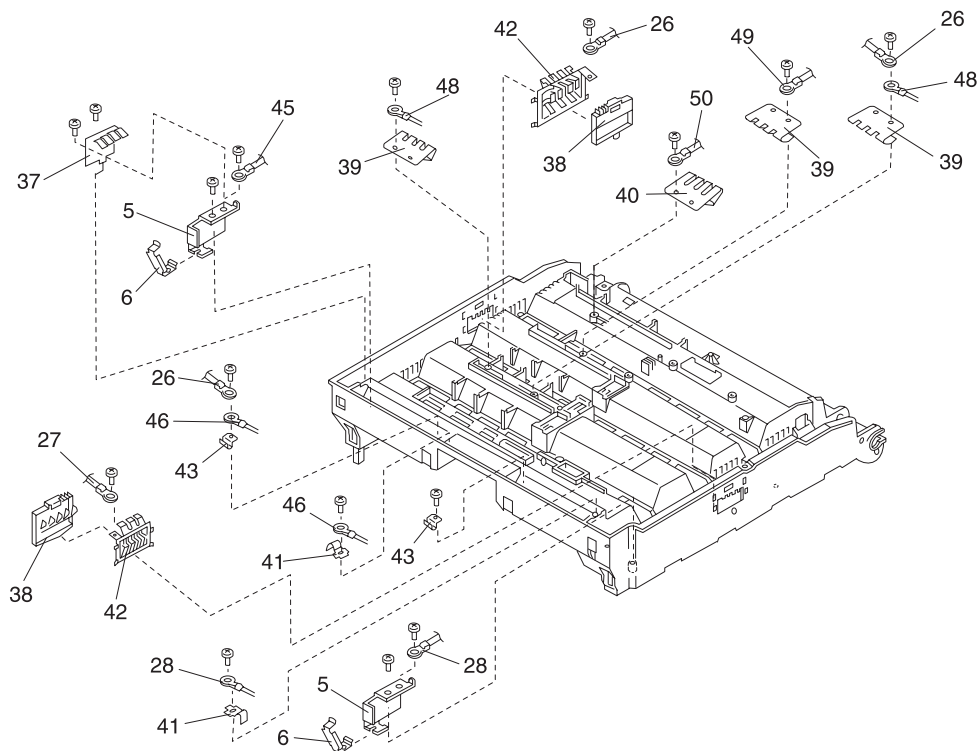
5050-001

Assembly 3 (cont.):



Assembly 3 (cont.): Upper Unit

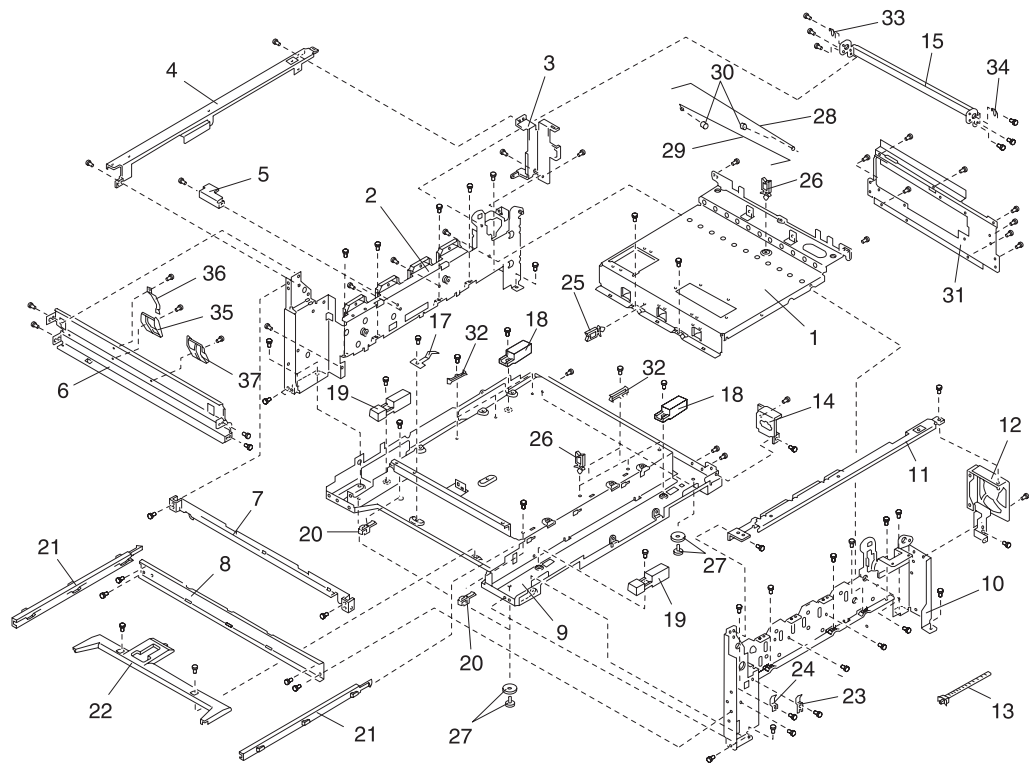
Ref	Part Number	Units	Description
3-2	11G0153	1	Hinge Stay 2
-3	11G0154	1	Damper Right
-4	11G0155	1	Damper Left
-14	11G0555	1	LED Printhead Controller Board (P614-Hdcont)
-16	11G0167	1	Insulator Shield, sheet
-17	11G0168	1	Sealed Plate
-18	11G0665	1	Head Cable (M) 230 V
-18	11G0720	1	Head Cable (M) 100 V - Japan
-19	11G0504	1	Head/cable (M) 115 V
-19	11G0652	1	Head Cable (M) 230 V
-20	11G0506	1	Head/cable (C) 115 V
-20	11G0653	1	Head Cable (C) 230 V
-21	11G0509	2	Head/cable (C) 115 V
-21	11G0654	1	Head Cable (C) 230 V
-22	11G0510	2	Head/cable (Y) 115 V
-22	11G0655	1	Head Cable (Y) 230 V
-23	11G0512	1	Head/cable (K) 115 V
-23	11G0656	1	Head Cable (K) 230 V
-24	11G0670	1	MLFG Harness
-25	11G0671	1	HDFG Harness
-26	11G0672	1	YLFG Harness
-27	11G0673	1	DLFG Harness
-29	11G0675	1	STFG Harness
-30	11G0676	1	DFG Harness
-32	11G0620	3	Nylon Clip
-33	11G0657	1	KRCFFC Cable 115 V
-34	11G0677	1	CRFG Harness
-44	11G0684	1	Sheet, Selected
-45	11G0685	1	FLFG Harness
-48	11G0688	1	MCT Harness
-49	11G0689	1	YTFG Harness

Assembly 3 (cont.):

Assembly 3 (cont.):

Ref	Part Number	Units	Description
3-5	11G0501	2	Bracket Ground Plate
-6	11G0157	2	Ground Plate, Head Frame
-26	11G0672	1	YLFG Harness
-27	11G0673	1	KLFG Harness
-28	11G0674	1	FRFG Harness
-37	11G0678	1	Top Cover Spring
-38	11G0679	2	Cover
-39	11G0680	3	FFC Spring A
-40	11G0681	1	FFC Spring B
-41	11G0339	1	Ground Plate
-42	11G0682	2	Side Ground Plate
-43	11G0683	2	Ground Plate
-45	11G0685	1	FLFG Harness
-46	11G0686	1	FTFG Harness
-48	11G0688	1	MCT Harness
-49	11G0689	1	YTFG Harness
-50	11G0690	1	KTFG Harness
-NS	11G0565	1	Screw Parts Packet #3

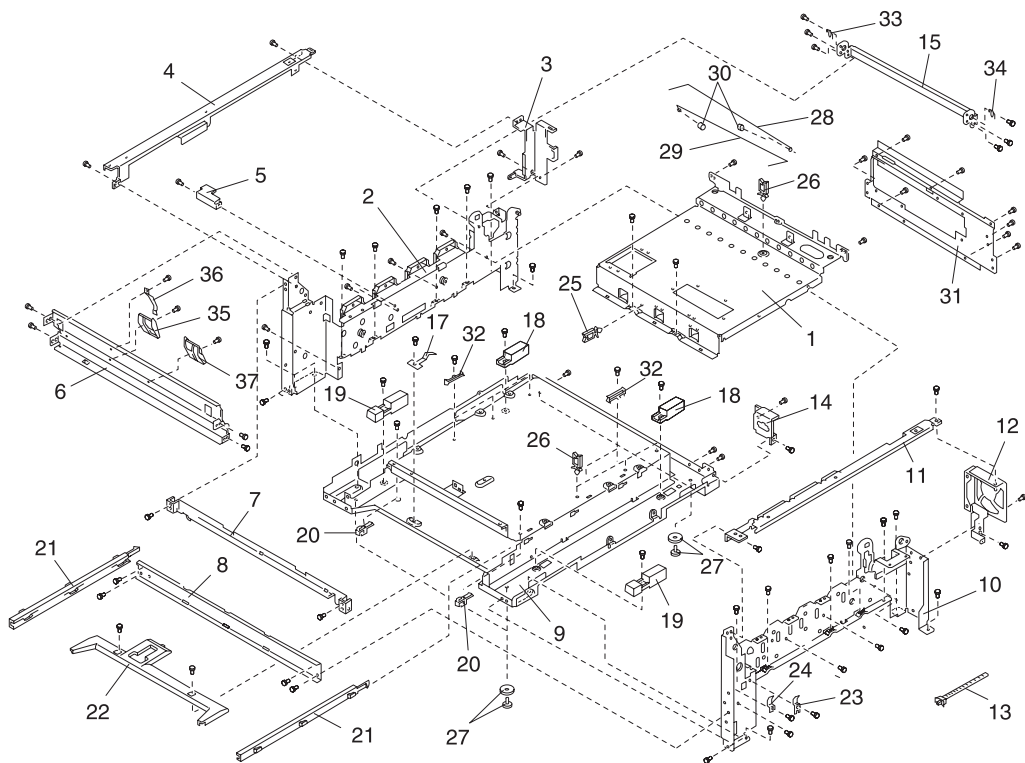
Assembly 4: Base 1



Assembly 4: Base 1

Ref	Part Number	Units	Description
4-1	11G0176	1	Top Frame
-2	11G0177	1	Side Frame; L
-3	11G0178	1	Power Supply Bracket A
-4	11G0179	1	Power Supply Stay
-5	11G0180	1	Power Supply Bracket B
-6	11G0181	1	Front Stay USA
-6	11G0691	1	Front Stay Non-USA
-7	11G0182	1	Front Frame, B
-8	11G0183	1	Front Frame
-9	11G0184	1	Bottom Frame
-10	11G0185	1	Side Frame, R
-11	11G0186	1	HVU1 Mounting Stay
-12	11G0187	1	Fan Stay
-13	11G0618	1	Cable Tie
-14	11G0188	1	Second Connector Bracket
-15	11G0189	1	Hinge Frame
-17	11G0191	1	Cassette Ground Plate
-18	11G0192	2	Lock Cover, B
-19	11G0193	2	Lock Cover, A
-20	11G0194	2	Release Lower Plate
-21	11G0195	2	Cassette Rail
-22	11G0196	1	Bottom Frame Cover
-23	11G0197	1	Registration Roller Ground Plate
-24	11G0198	1	Mpf Ground Plate
-25	11G0517	1	Locking Saddle
-26	11G0199	3	Locking Wire Saddle
-27	11G0201	4	Foot
-28	11G0519	1	Torsion Bearing R
-29	11G0520	1	Torsion Bearing L
-30	11G0522	2	Torsion Bearing Nut
-31	11G0526	1	Controller Card Mounting Plate
-NS	11G0617	1	Screw Parts Packet #4

Assembly 4 (cont.):



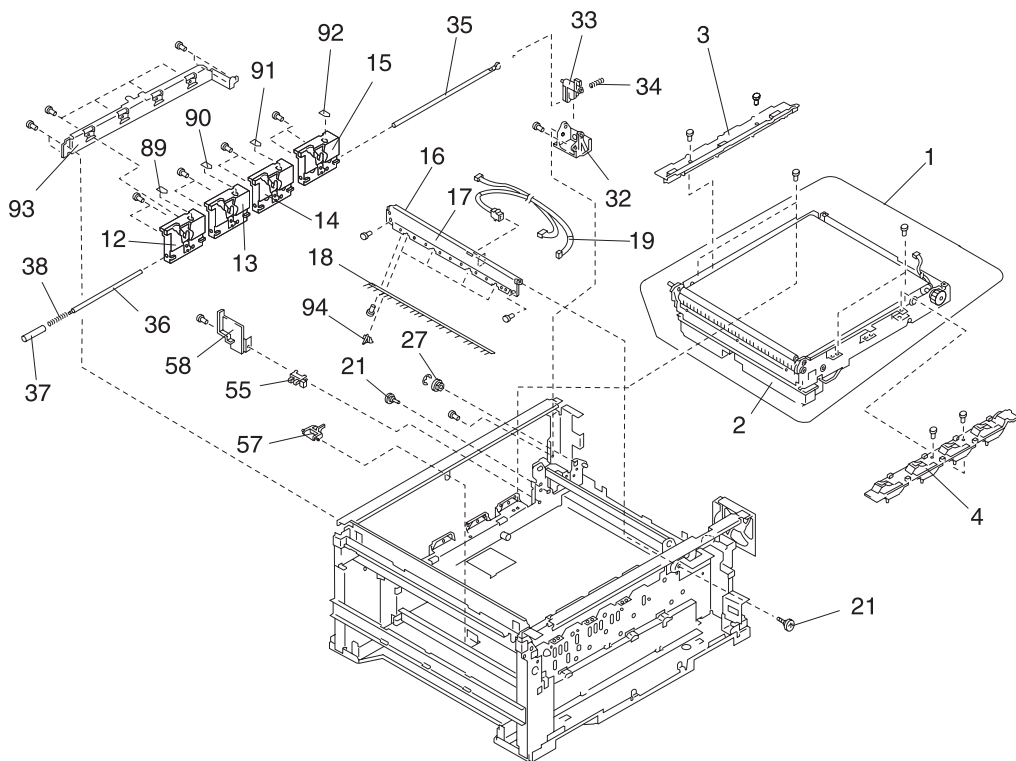
5050-001

Assembly 4 (cont.):

Ref	Part Number	Units	Description
4-32	11G0692	5	PCB Guide
-33	11G0693	1	Ground Spring, LV
-34	11G0694	1	Ground Spring, RV
-35	11G0695	1	Cover Spring
-36	11G0696	1	Spring
-37	11G0697	1	Cover Bracket Spring R

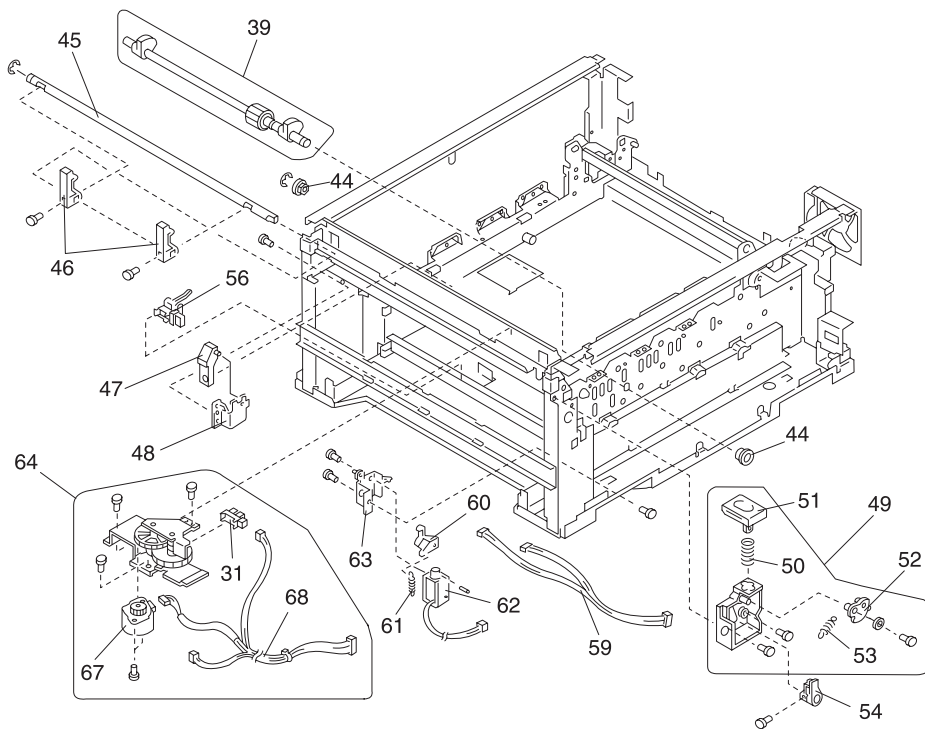
5050-001

Assembly 5: Base 2



Assembly 5: Base 2

Ref	Part Number	Units	Description
5-1	11G0202	1	Transfer Belt Unit
-2	11G0203	1	Belt toner Waste Bottle
-3	11G0204	1	Transfer Cover
-4	11G0205	1	Gear Cover
-12	11G0208	4	Sub Frame Asm, Lm
-13	11G0554	4	Sub Frame Asm, Lc
-14	11G0557	4	Sub Frame Asm, Ly
-15	11G0560	4	Sub Frame Asm, Lk
-16	11G0209	1	Paper Carrying Guide
-17	11G0210	1	Paper Carrying Guide Film
-18	11G0211	1	Paper Discharge Brush
-19	11G0212	1	Belt Thermistor Harness
-21	11G0214	2	Stopper Screw
-27	11G0140	2	Bushing
-32	11G0221	1	Link Holder
-33	11G0222	1	Link Arm
-34	11G0223	1	Link Spring
-35	11G0224	1	Interlock Rod, Front
-36	11G0225	1	Interlock Rod, Rear
-37	11G0226	1	Spring Cover
-38	11G0227	1	Interlock Lever Spring, Rear
-55	11G0243	2	Photo Interrupter, Paper Detect
-57	11G0245	1	Paper Detect Lever
-58	11G0244	1	Power Supply Cover
-89	11G0266	2	Setting Label, MI
-90	11G0265	2	Setting Label, CI
-91	11G0264	2	Setting Label, YI
-92	11G0263	2	Setting Label, Bkl
-93	11G0539	1	Stay, Sub Frame L
-94	11G0698	4	Separation Pawl

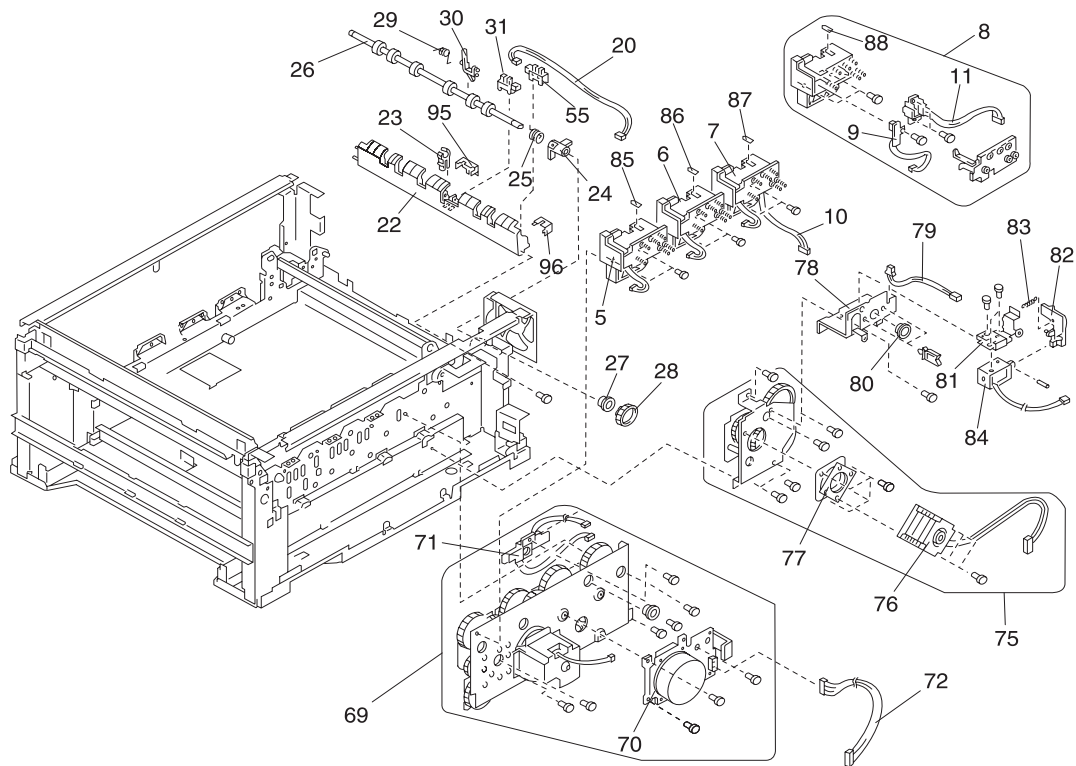
Assembly 5 (cont.): Base 2

Assembly 5 (cont.): Base 2

Ref	Part Number	Units	Description
5-31	11G0219	2	Photo Interrupter, Belt Up/Down (BUD) Sensor
-39	11G0267	1	Changing Shaft
-44	11G0232	2	Bushing
-45	11G0233	1	Hook Shaft
-46	11G0234	2	Hook
-47	11G0235	1	Interlock Lever, Rear
-48	11G0236	1	Interlock Lever Bracket
-49	11G0239	1	Link Base
-50	11G0238	1	Open Spring
-51	11G0237	1	Open Button
-52	11G0242	1	Link
-53	11G0241	1	Hook Spring
-54	11G0240	1	Release Hook Lever
-56	11G0558	1	Photo Interrupter, Paper Detect
-59	11G0246	1	Paper Detect Sensor Harness Asm
-60	11G0247	1	Mpf Clutch Lever
-61	11G0248	1	Mpf Clutch Spring
-62	11G0249	1	Solenoid 2, Paper Feed
-63	11G0250	1	Solenoid Bracket
-64	11G0251	1	Belt Up/Down (BUD) Frame Unit
-67	11G0254	1	Belt Up/Down (BUD) Motor
-68	11G0255	1	Belt Up/Down (BUD) Harness Asm

5050-001

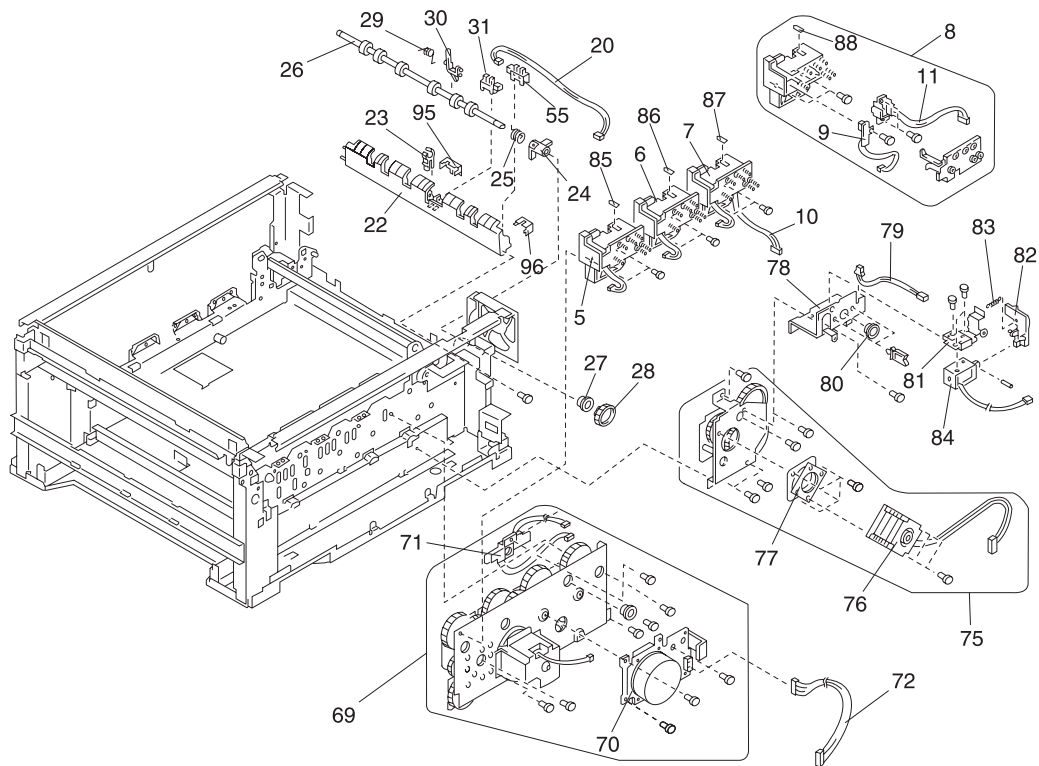
Assembly 5 (cont.):



Assembly 5 (cont.): Base 2

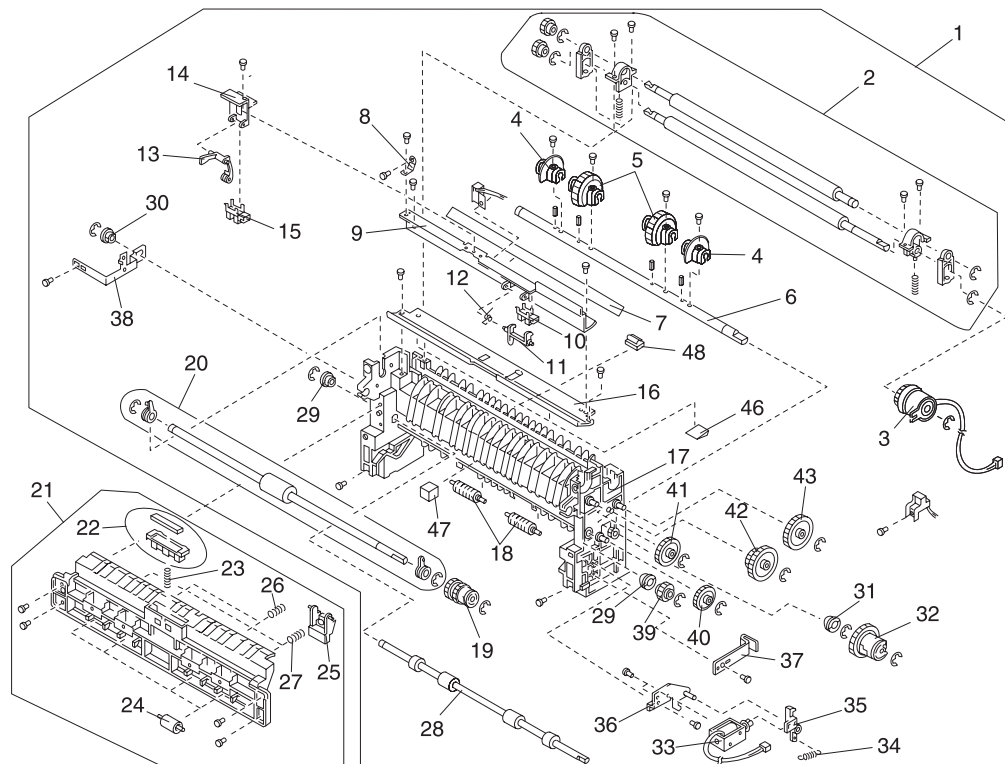
Ref	Part Number	Units	Description
5-5	11G0543	1	Sub Frame Asm, Rm
-6	11G0544	1	Sub Frame Asm, Rc
-7	11G0545	1	Sub Frame Asm, Ry
-8	11G0206	4	Sub Frame Asm, Rk
-9	11G0207	4	Toner Sensor (A) Asm (611-Tn)
-10	11G0548	1	Drum Sensor, Color, (A) Asm (614-dss)
-11	11G0550	1	Drum Sensor, Black (A) Asm (614-dss)
-20	11G0505	1	Paper Face Up/Face Down Sensor Cable
-22	11G0215	1	Paper Exit Guide
-23	11G0138	1	Bushing
-24	11G0513	1	Paper Face Up/Face Down Sensor Lever
-25	11G0516	1	Torsion Spring
-26	11G0216	1	Paper Exit Shaft, Lower
-27	11G0140	2	Bushing
-28	11G0220	1	Gear
-29	11G0217	1	Sensor Spring
-30	11G0218	1	Sensor Lever
-31	11G0219	2	Photo Interrupter, Belt Up/Down (BUD) Sensor
-55	11G0243	2	Photo Interrupter, Paper Detect
-69	11G0257	1	Drive Unit 1
-70	11G0256	1	Dc Motor, Drive 1
-71	11G0581	1	Drum/Drive Gear Sensor
-72	11G0259	1	Dc Motor Cable Asm
-75	11G0258	1	Drive Unit 2
-76	11G0260	1	Stepper Motor, Drive 2
-77	11G0262	1	Rubber Mount
-78	11G0261	1	Solenoid Bracket
-79	11G0534	1	Thermistor Cable
-80	11G0340	1	Bushing
-81	11G0535	1	Face Up/Face Down (FUD) Solenoid Bracket
-82	11G0536	1	Face Up/Face Down (FUD) Solenoid Actuator
-83	11G0537	1	Face Up/Face Down (FUD) Solenoid Spring
-84	11G0538	1	Face Up/Face Down (FUD) Solenoid

Assembly 5 (cont.):



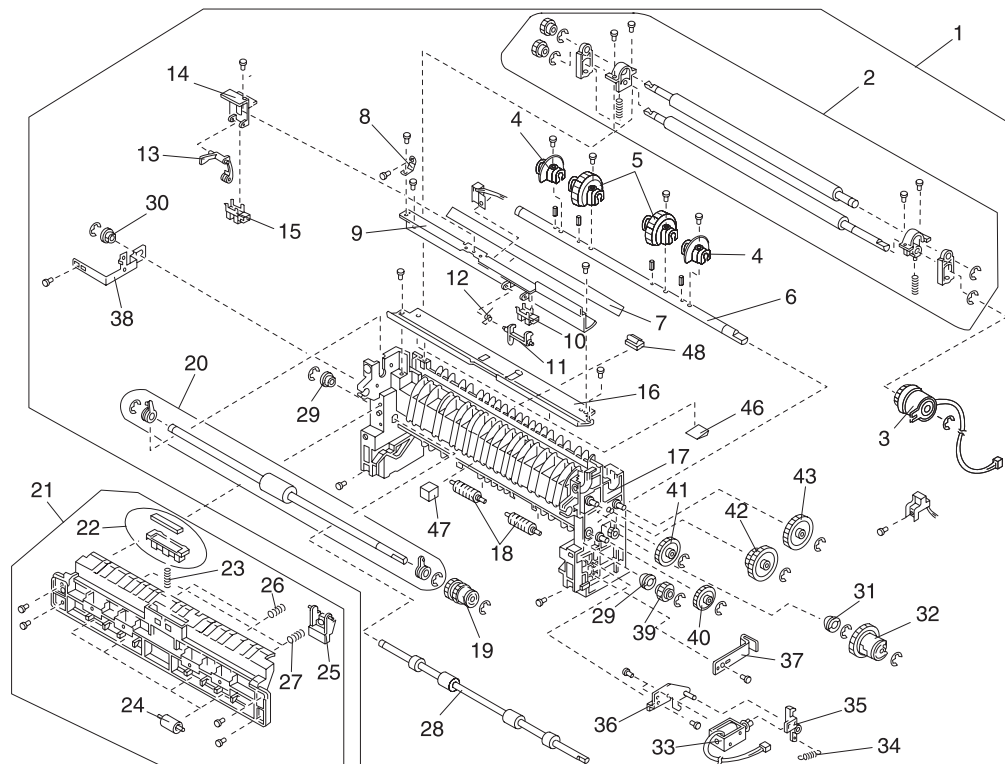
Assembly 5 (cont.):

Ref	Part Number	Units	Description
5-85	11G0626	2	Setting Label, M R
-86	11G0627	2	Setting Label, Cr
-87	11G0628	2	Setting Label, Yr
-88	11G0629	2	Setting Label, Bkr
-95	11G0699	1	Exit Sensor Cover
-96	11G0700	1	Face Up/Down Sensor Cover
-NS	11G0725	1	Exit Sensor Grid
-NS	11G0540	1	Screw Parts Packet #5

Assembly 6: Feeder

Assembly 6: Feeder

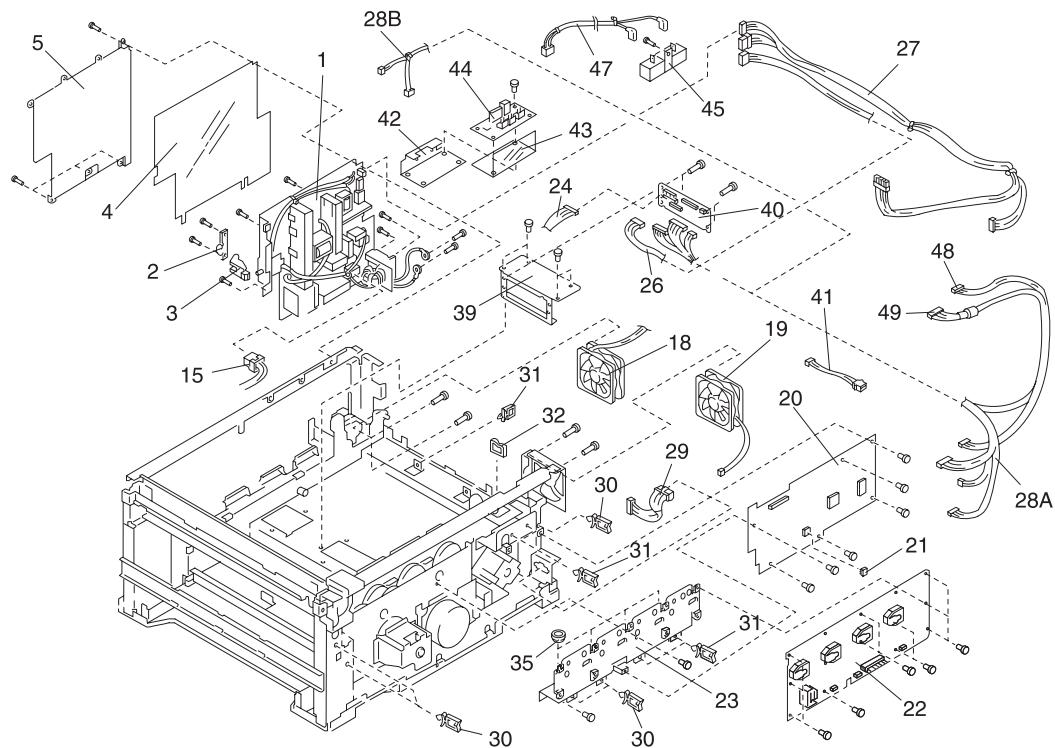
Ref	Part Number	Units	Description
6-1	11G0304	1	Paper Feed Unit
-2	11G0268	1	Registration Roller Asm
-3	11G0269	1	Registration Clutch
-4	11G0270	2	Auxiliary Roller
-5	11G0271	2	Paper Feed Roll Asm
-6	11G0272	1	Paper Feed Shaft
-7	11G0273	1	Guide Stay Sheet
-8	11G0274	1	Ground Plate Guide
-9	11G0275	1	Sensor Stay
-10	11G0219	1	Photo Interrupter, Registration Sensor
-11	11G0276	1	Registration Sensor Lever
-12	11G0277	1	Registration Sensor Spring
-13	11G0553	1	MPF Sensor Lever
-14	11G0556	1	Bracket, Sensor MPT
-15	11G0243	1	Photo Interrupter, MPF Paper Detect Sensor
-16	11G0278	1	Upper Guide Stay
-17	11G0279	1	Paper Feed Base
-18	11G0280	2	Noise-cut Roller
-19	11G0281	1	MPF Clutch
-20	11G0282	1	MPF Roller
-21	11G0285	1	Turn Guide
-22	11G0283	1	MPF Friction Pad
-23	11G0284	1	Friction Pad Spring
-24	11G0286	4	Idler Roller
-25	11G0287	4	Roller Guide
-26	11G0288	2	Roller Spring
-27	11G0302	2	Roller Spring
-28	11G0289	1	Carrying Roller
-29	11G0303	2	Metal Bushing
-30	11G0290	1	Bushing
-31	11G0140	1	Bushing
-32	11G0291	1	Paper Feed Clutch
-33	11G0292	1	Paper Feed Solenoid 1

Assembly 6 (cont.): Feeder

Assembly 6 (cont.): Feeder

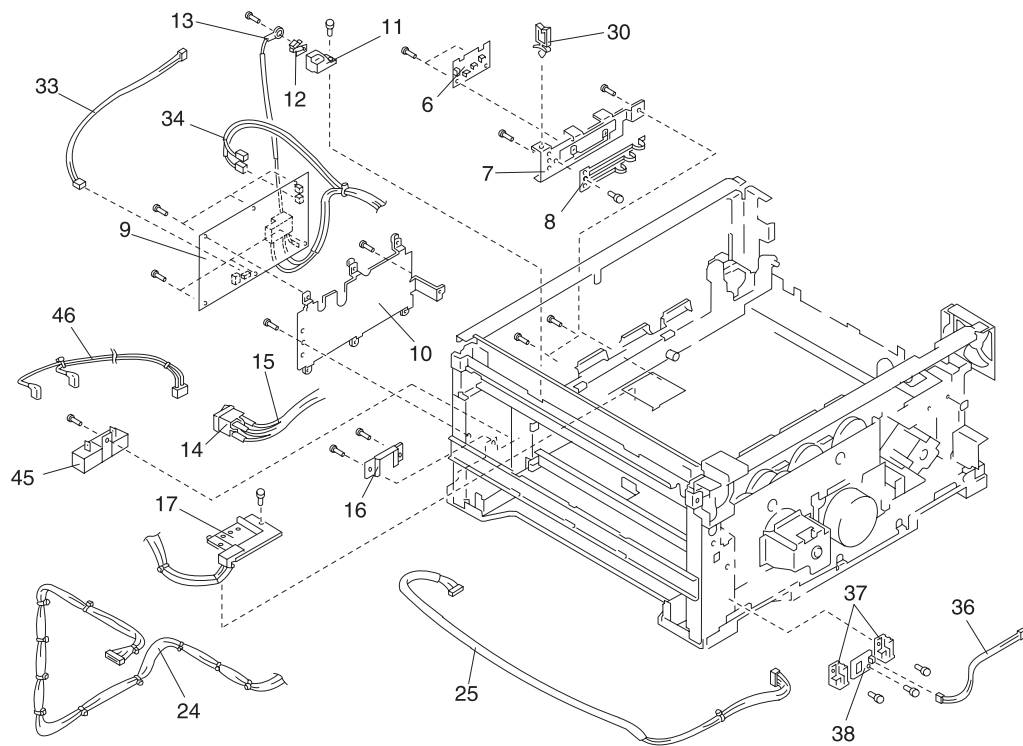
Ref	Part Number	Units	Description
6-34	11G0435	1	Solenoid Spring
-35	11G0293	1	Clutch Lever
-36	11G0294	1	Solenoid Bracket
-37	11G0295	1	Cassette Support Plate
-38	11G0296	1	Paper Feed Ground Plate
-39	11G0297	1	Carrying Gear
-40	11G0298	1	Idler Gear
-41	11G0299	1	Idler Gear 35
-42	11G0300	1	W Gear 21 x 39
-43	11G0301	1	Idler Gear 38
-46	11G0701	2	MPF Guide
-47	11G0702	1	Pad
-48	11G0703	1	Clamp
-NS	11G0575	1	OHP Sheet Detect Sensor, Also order 11G0576
-NS	11G0576	1	OHP Sheet Detect Sensor, Also order 11G0575
-NS	11G0577	1	Screw Parts Packet #6

Assembly 7: Electrical



Assembly 7: Electrical

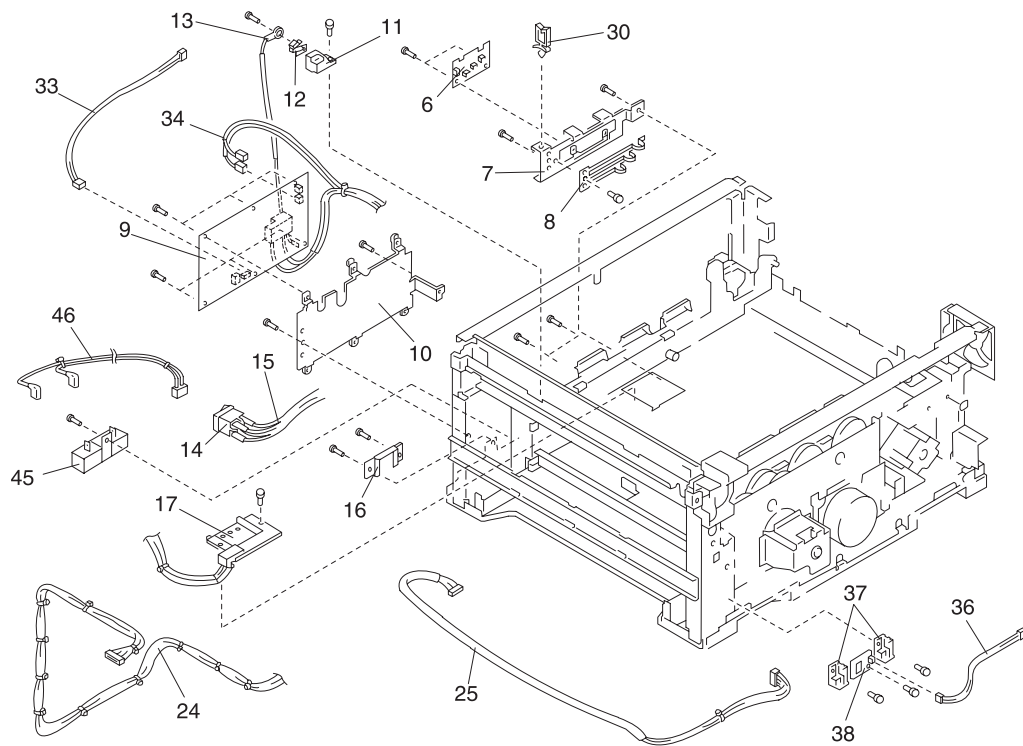
Ref	Part Number	Units	Description
7-1	11G0305	1	MPS, Power Supply (P611-MPS) (115 Volt)
-1	11G0541	1	MPS, Power Supply (P611-MPS-E) (230 Volt)
-2	11G0306	1	Interlock Rod Lever Bracket
-3	11G0307	1	Interlock Rod Lever
-4	11G0308	1	Insulation Sheet, MPS
-5	11G0309	1	Sealed Plate, MPS
-15	11G0319	1	Power Switch Cable
-18	11G0322	1	Fan, Power Supply
-19	11G0323	1	Fan, Main
-20	11G0324	1	Printer Controller Board (P614-PRCONT)
-21	11G0325	1	EEPROM, Printer Controller Board
-22	11G0326	1	High Voltage Unit 1 (P614-HVU1)
-23	11G0327	1	HVU Bracket
-26	11G0330	1	IF Power Cable Asm
-27	11G0331	1	Power Cable Asm
-28A	11G0332	1	VDOL Wire Harness (115 Volt)
-28B	11G0704	1	PBVDOF Wire Harness (230 Volt)
-29	11G0334	1	Second Harness
-30	11G0199	4	Locking Wire Saddle
-31	11G0420	7	Locking Wire Saddle
-32	11G0336	3	Edging Saddle
-35	11G0340	6	Mini Bushing
-39	11G0531	1	Interface Card Connector Mounting Bracket
-40	11G0573	1	Interface Connector Bracket
-41	11G0532	1	Option Junction Cable
-42	11G0705	1	Bracket
-43	11G0706	1	Installation Sheet
-44	11G0659	1	Heater Drive Board, (230 Volt)
-45	11G0660	1	Resistor, Heater Drive Board, (230 Volt)
-47	11G0708	1	AC Cable Rear
-48	11G0709	1	HPVDO Harness
-49	11G0710	1	HBVDO Harness

Assembly 7 (cont.):

Assembly 7 (cont.): Electrical

Ref	Part Number	Units	Description
7-6	11G0310	1	Paper Size Board A (P611-PSZ)
-7	11G0311	1	Paper Size Bracket
-8	11G0312	1	Size Sensor Plate
-9	11G0313	1	High Voltage Unit 2 (P614-HVU2)
-10	11G0314	1	Hvt Bracket
-11	11G0315	1	Plate Holder
-12	11G0316	1	Plate, Feeder
-13	11G0317	1	Hv Cable
-14	11G0318	1	Power Switch
-15	11G0319	1	Power Switch Cable
-16	11G0320	1	Switch Holder
-17	11G0321	1	Transfer Belt Power Connector Holder
-24	11G0328	1	OPEL Cable
-25	11G0329	1	HVU2 Harness (P614-HVU2)
-30	11G0199	4	Locking Wire Saddle
-33	11G0338	1	Paper Size Harness Asm (614-PSZ)
-34	11G0339	1	HV Cable Asm
-36	11G0529	1	Rh Cable
-37	11G0530	1	Humidity Sensor Housing
-38	11G0571	1	Sensor, Humidity
-45	11G0660	1	Resistor, Heater Drive Board, (230 Volt)
-46	11G0707	1	AC Cable Front

Assembly 7 (cont.):

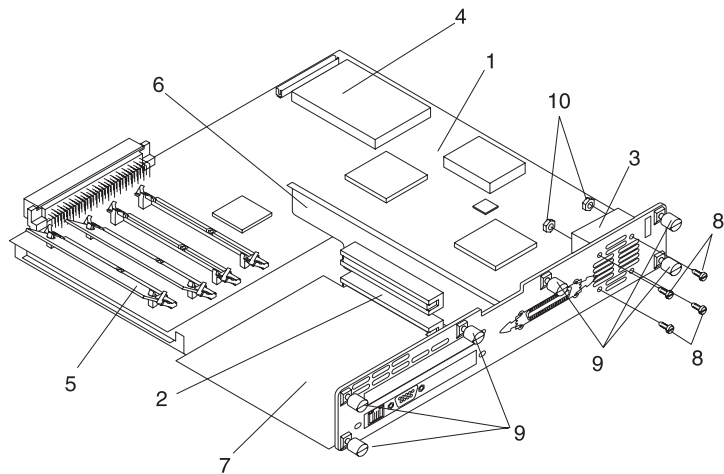


Assembly 7 (cont.):

Ref	Part Number	Units	Description
7-NS	11G0562	1	Screw Parts Packet #7
-NS	11G0726	1	Insulator Sheet (HVT)
-NS	11D0328	1	Power Cord, U.S, Canada, APG (LV), LAD (LV)
-NS	11D0333	1	Power Cord, Denmark
-NS	11D0334	1	Power Cord, Europe, England
-NS	11D0334	1	Power Cord, France
-NS	11D0334	1	Power Cord, Germany
-NS	11D0335	1	Power Cord, Italy
-NS	11D0334	1	Power Cord, Spain
-NS	11D0336	1	Power Cord, Swiss/French
-NS	11D0336	1	Power Cord, Swiss/German
-NS	11D0336	1	Power Cord, Swiss/Italian
-NS	11D0337	1	Power Cord, U.K.
-NS	11D0338	1	Power Cord, Israel
-NS	11D0339	1	Power Cord, South Africa
-NS	11D0334	1	Power Cord, Belgium
-NS	11D0330	1	Power Cord, Argentina
-NS	11D0331	1	Power Cord, Brazil
-NS	11D0332	1	Power Cord, Chile
-NS	11D0329	1	Power Cord, Peru

5050-001

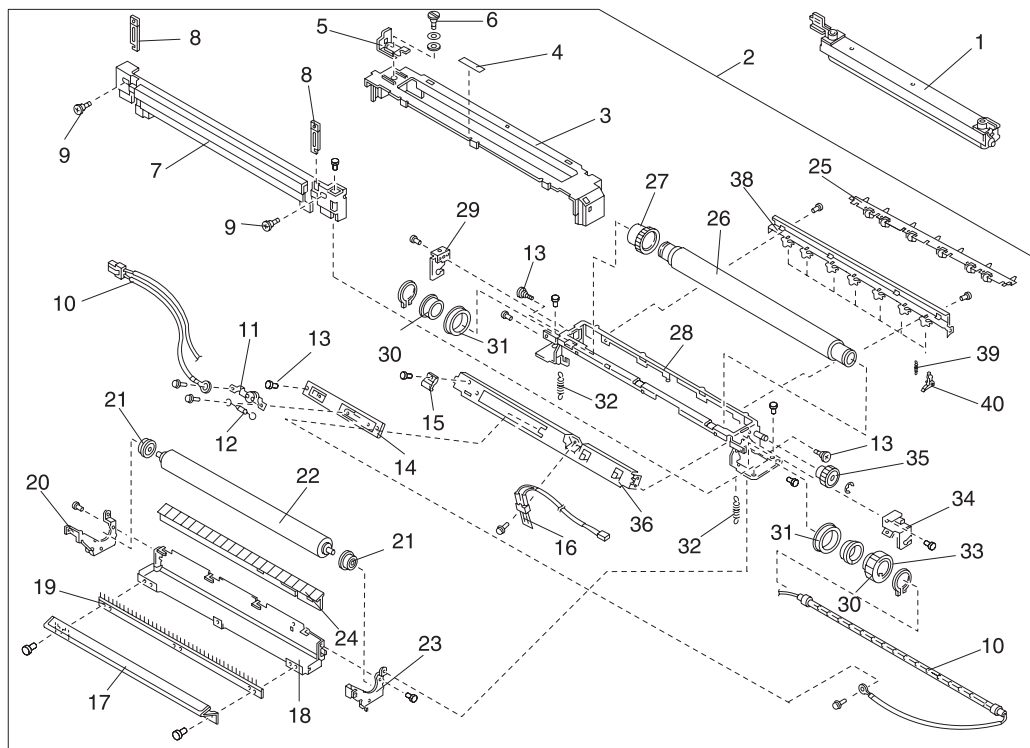
Assembly 8: I/F Controller



Assembly 8: I/F Controller

Ref	Part Number	Units	Description
8-1	11G0604	1	RIP Controller Card
-2	11G0605	1	Riser Card
-3	11G0606	1	Fan
-4	11G0607	1	16MB Solid State Drive
-4	11G0714	1	20MB Solid State Drive - Japan
-5	11G0608	2	16MB SIMM EDO, 50ns
-5	11G0609	2	32MB SIMM EDO, 50ns
-6	11G0611	1	Bracket, Riser Card
-7	11G0612	1	Tray, Controller Card
-8	11G0613	2	Screw, Fan
-9	11G0614	6	Screw, Thumb
-10	11G0615	2	Nut, Fan

Assembly 9: Fuser

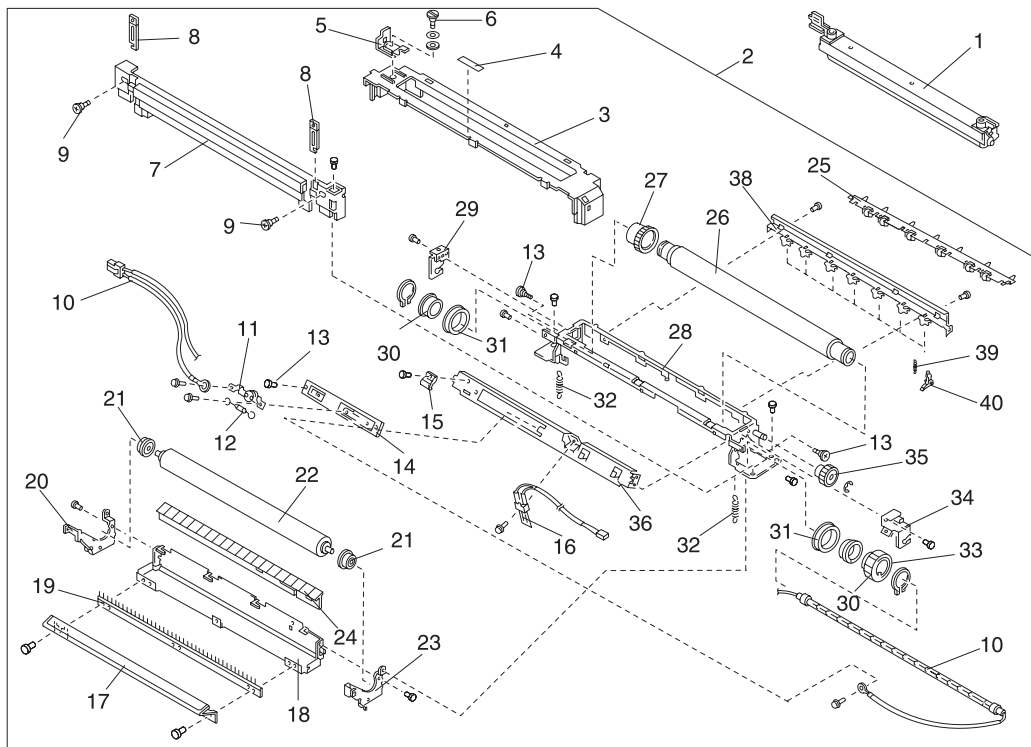


Assembly 9: Fuser

Ref	Part Number	Units	Description
9-1	11G0603	1	Fuser Oil Roll
-2	11G0542	1	Fuser (230 Volt)
-2	11G0375	1	Fuser (115 Volt)
-2	11G0722	1	Fuser (100 Volt) - Japan
-3	11G0342	1	Fuser Cover
-4	11G0619	1	Caution Label, Fuser Cover
-5	11G0343	1	Lock
-6	11G0344	1	Lock Screw
-7	11G0345	1	Fuser Guide
-8	11G0346	2	Release Lever
-9	11G0347	2	Screw
-10	11G0549	1	614 Heater (230 Volt)
-10	11G0348	1	614 Heater (115 Volt)
-10	11G0723	1	614 Heater (100 Volt) - Japan
-11	11G0349	1	611 Thermostat Asm
-11	11G0724	1	611 Thermostat Asm (Level 2)
-12	11G0551	1	611 Fuse Asm
-13	11G0214	4	Stopper Screw
-14	11G0351	1	Terminal
-15	11G0352	1	Cord Retainer
-16	11G0353	1	614 Thermistor Asm
-17	11G0354	1	Paper Feed Guide
-18	11G0355	1	Fuser Lower Cover
-19	11G0356	1	Discharge Brush
-20	11G0357	1	Arm, L
-21	11G0358	2	Bushing, P
-22	11G0359	1	Press Roller
-23	11G0360	1	Arm, R
-24	11G0514	1	Press Roller Guide
-25	11G0661	1	Guide Roller Asm
-26	11G0365	1	Heat Roller
-27	11G0366	1	Gear 30

5050-001

Assembly 9 (cont.): Fuser

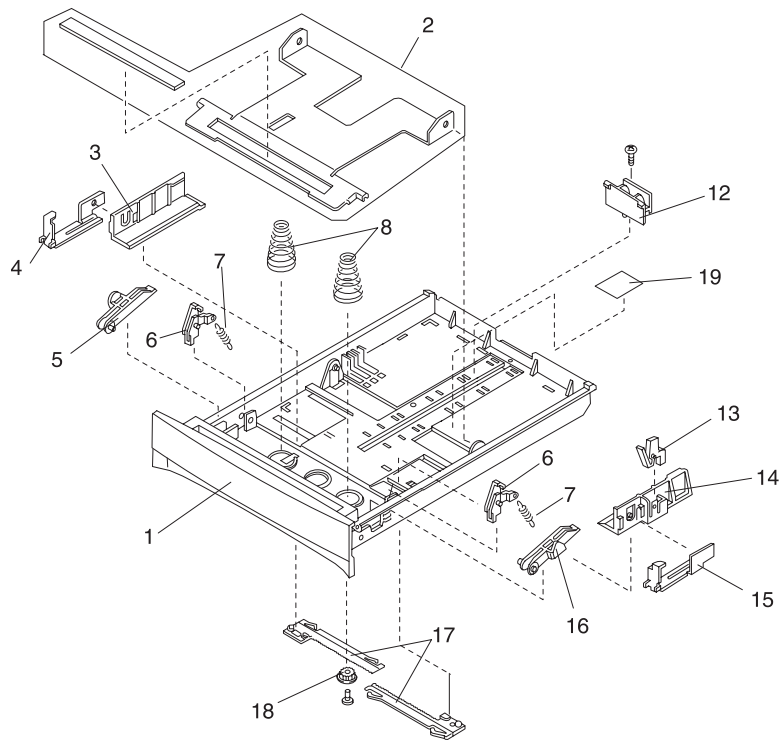


Assembly 9 (cont.): Fuser

Ref	Part Number	Units	Description
9-28	11G0367	1	Fuser Frame
-29	11G0368	1	Heater Plate, L
-30	11G0369	2	Bushing Holder
-31	11G0564	2	Bearing Holder
-32	11G0370	2	Compression Spring
-33	11G0371	1	Gear Holder
-34	11G0372	1	Heater Plate, R
-35	11G0373	1	Idler Gear, 18
-36	11G0374	1	Stay, Bracket
-38	11G0711	1	Paw Bracket
-39	11G0662	1	Pawl Spring
-40	11G0663	1	Separation Pawl
-NS	11G0570	1	Heat Resist Cable Tie
-NS	11G0572	1	Screw Parts Packet #9

5050-001

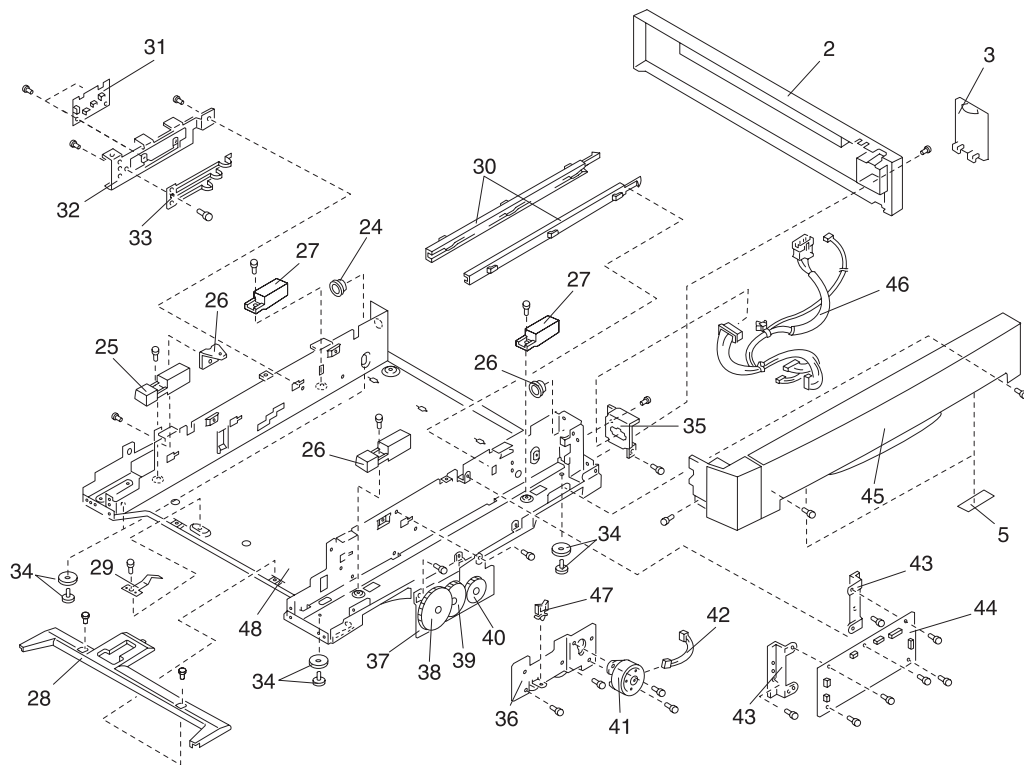
Assembly 10: Cassette



Assembly 10: Cassette

Ref	Part Number	Units	Description
10-1	11G0376	1	Lower Base
-2	11G0377	1	Lower Plate
-3	11G0378	1	Side Location, R
-4	11G0379	1	Click, R
-5	11G0380	1	Lower Plate Push Lever, R
-6	11G0381	2	Lever Lock
-7	11G0382	2	Lock Spring
-8	11G0383	2	Push Up Spring
-12	11G0387	1	Rear Location Plate
-13	11G0388	1	Side Lock
-14	11G0389	1	Side Location, L
-15	11G0390	1	Click, L
-16	11G0391	1	Lower Plate Push Lever, L
-17	11G0392	2	Rack
-18	11G0118	1	Pinion
-19	11G0393	1	Instruction Label
-NS	11G0616	1	Screw Parts Packet #10

Assembly 11: Optional Feeder Base

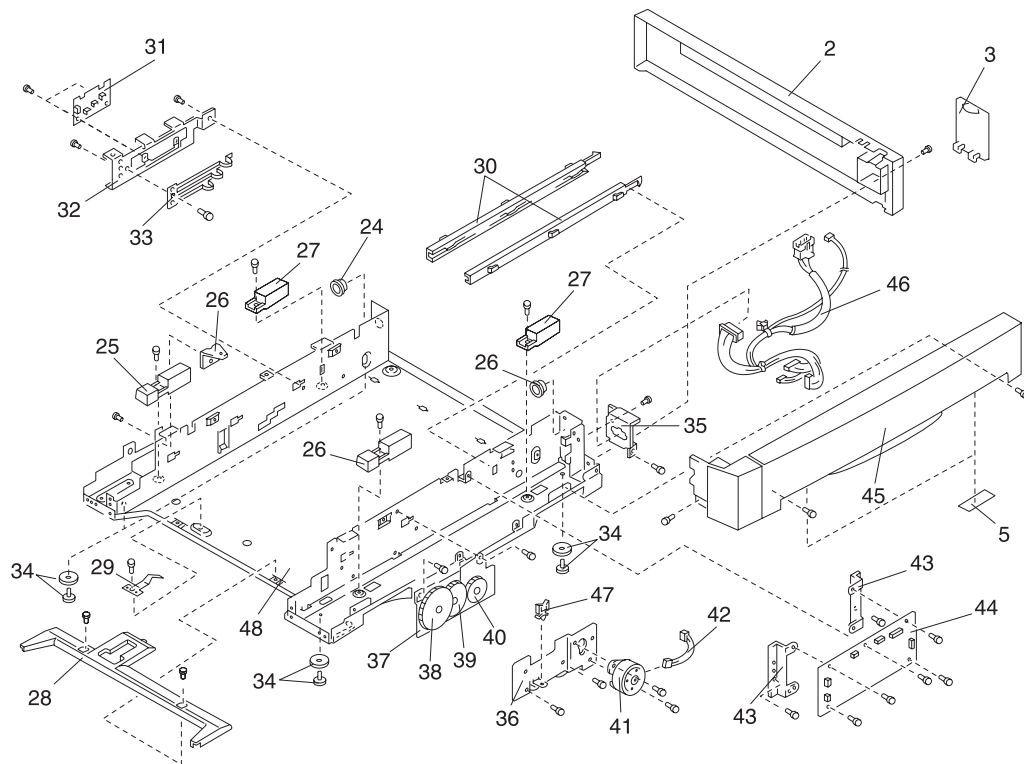


Assembly 11: Optional Feeder Base

Ref	Part Number	Units	Description
11-2	11G0397	1	Rear Cover, 2
-3	11G0107	1	Second. Connector Cover
-5	11G0129	1	Rubber Plate
-24	11G0411	2	Mini Bushing, B
-25	11G0412	1	Spring Hook
-26	11G0193	2	Lock Cover, A
-27	11G0192	2	Lock Cover, B
-28	11G0196	1	Bottom Frame Cover
-29	11G0191	1	Cassette Ground Plate
-30	11G0195	2	Cassette Rail
-31	11G0310	1	Paper Size Board (P611-PSZ)
-32	11G0311	1	Paper Size Board Bracket
-33	11G0312	1	Paper Size Sensor Plate
-34	11G0201	4	Foot
-35	11G0188	1	Second Connector Bracket
-36	11G0413	1	Drive Frame Out, 2
-42	11G0415	1	Motor Harness

5050-001

Assembly 11 (cont.):

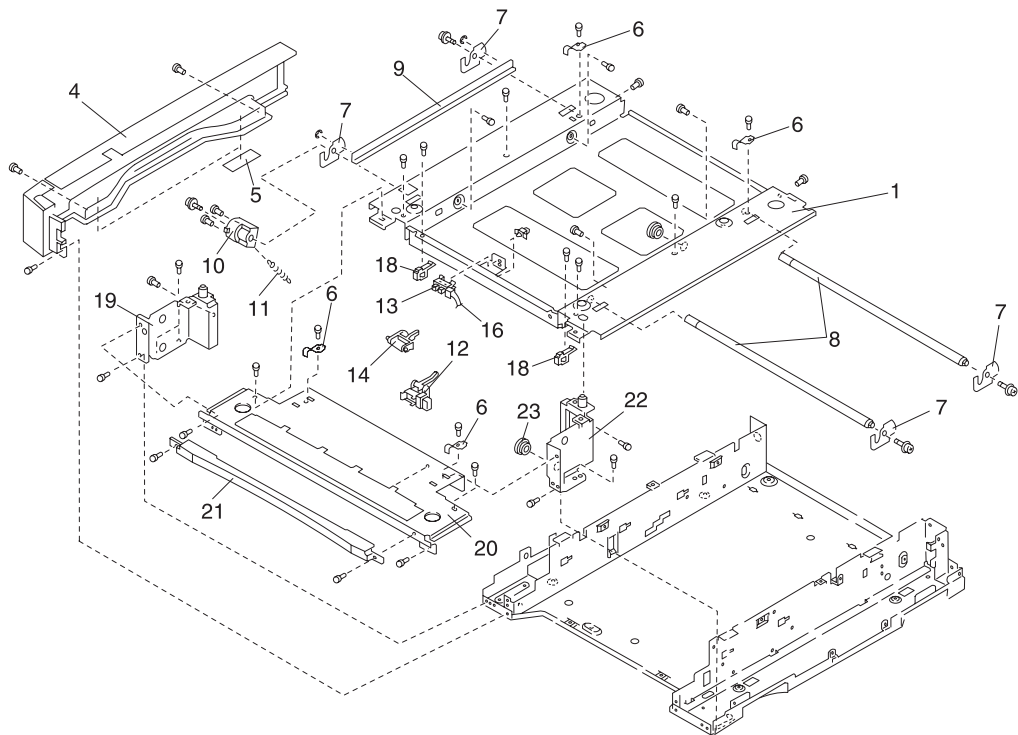


Assembly 11 (cont.):

Ref	Part Number	Units	Description
11-37	11G0421	1	Drive Frame In, 2
-38	11G0422	1	Gear, Idler 62
-39	11G0423	1	Gear, S37xs24
-40	11G0424	1	Gear, H97xs34
-41	11G0414	1	Paper Feed Motor (Pm42) Optional Feeder
-42	11G0415	1	Motor Harness
-43	11G0416	2	Pcb Bracket
-44	11G0417	1	Paper Feeder Driver Board (P614-2/3 DRIV)
-45	11G0418	1	Side Cover, R 2
-46	11G0419	1	Second Harness Asm
-47	11G0420	1	Locking Wire Saddle
-48	11G0425	1	Bottom Frame, 2

5050-001

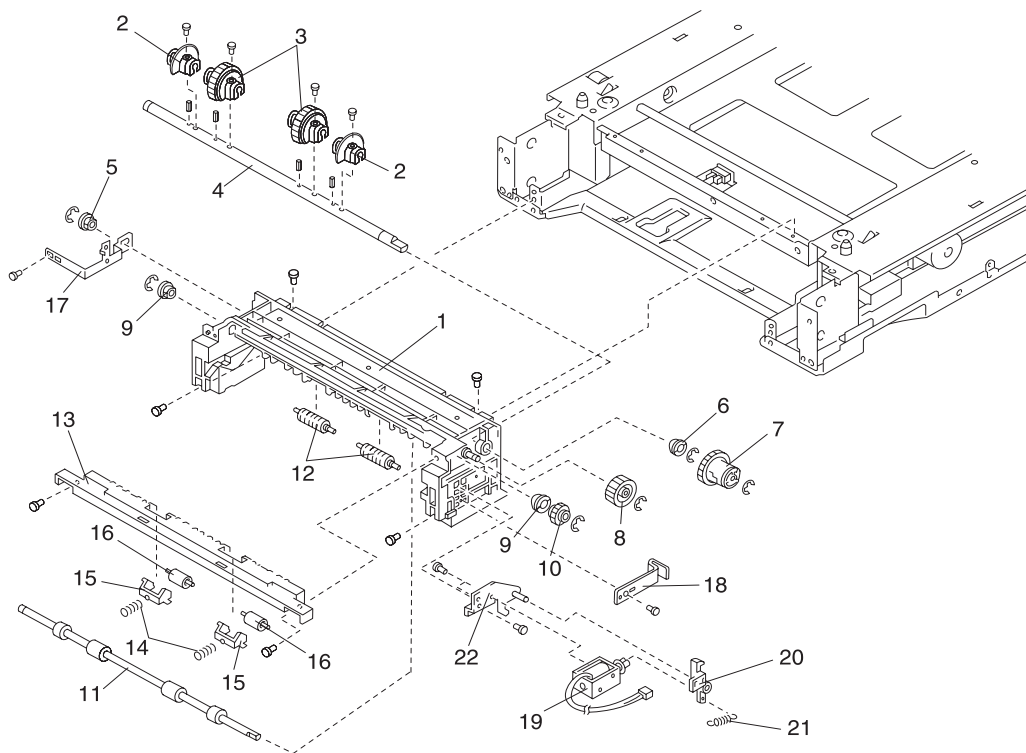
Assembly 11 (cont.): Optional Feeder Base



Assembly 11 (cont.): Optional Feeder Base

Ref	Part Number	Units	Description
11-1	11G0396	1	Top Frame, 2
-4	11G0398	1	Side Cover, L 2
-5	11G0129	1	Rubber Plate
-6	11G0399	4	Ground Plate, Second
-7	11G0400	4	Lock, 2
-8	11G0401	2	Lock Shaft, 2
-9	11G0402	1	Lock Link
-10	11G0403	1	Lock Lever
-11	11G0404	1	Lock Spring, 2
-12	11G0245	1	Paper Detect Lever
-13	11G0243	1	Photo Interrupter, Paper Detect Sensor
-14	11G0558	1	Photo Interrupter, Paper Detect Sensor
-16	11G0405	1	Second Photo Interrupter Harness
-18	11G0194	2	Release Lower Plate
-19	11G0407	1	Sub Frame, L 2
-20	11G0408	1	Front Stay, 2
-21	11G0409	1	Front Cover, 2
-22	11G0410	1	Sub Frame, R 2
-23	11G0340	2	Mini Bushing, A
-NS	11G0578	1	Rating Plate
-NS	11G0618	1	Cable Tie
-NS	11G0579	1	Screw Parts Packet #11
-NS	11G0625	1	Lever Stopper

Assembly 12: Optional Feeder Paper Feed



Assembly 12: Optional Feeder Paper Feed

Ref	Part Number	Units	Description
12-1	11G0426	1	Paper Feed Base, 2
-2	11G0270	2	Auxiliary Roller
-3	11G0271	2	Paper Feed Roller
-4	11G0272	1	Paper Feed Shaft
-5	11G0290	1	Bushing, B
-6	11G0140	1	Bushing, 8a
-7	11G0291	1	Paper Feed Clutch
-8	11G0430	1	Idle Gear 27
-9	11G0303	2	Metal Bushing 8
-10	11G0297	1	Carrying Gear
-11	11G0431	1	Carrying Roller, 2
-12	11G0280	2	Noise-cut Roller
-13	11G0432	1	Paper Feed Guide, 2
-14	11G0433	2	Roller Spring
-15	11G0434	2	Roller Guide, 2
-16	11G0286	2	Idle Roller
-17	11G0296	1	Paper Feed Ground Plate
-18	11G0295	1	Cassette Plate
-19	11G0249	1	Solenoid 2, Paper Feed
-20	11G0293	1	Clutch Lever
-21	11G0435	1	Solenoid Spring
-22	11G0294	1	Solenoid Bracket
-NS	11G0562	1	Screw Parts Packet #12

Assembly 13: Optional Features

Ref	Part Number	Units	Description
	11G0601	1	Maintenance Kit Low Voltage
	11G0602	1	Maintenance Kit High Voltage
	11G0727	1	Maintenance Kit - Japan
	11G0632	1	Machine Return Packaging Material
	11G0733	1	Hard Disk
	11G0610	1	Cable, Hard Disk
	99A0422	1	Ethernet 10BaseT and 10Base2
	99A0421	1	Ethernet 10/100BaseT
	99A0420	1	Token-Ring, (Connects via DB9 or RJ45)
	99A0560	1	Tri-port Adapter
	99A0467	1	Parallel Port Adapter
	99A0424	1	Infrared Adapter
	99A0545	1	Serial Interface Adapter
	99A0702	2	Printer Stand Caster, Non Locking
	99A0703	2	Printer Stand Caster, Locking
	99A0704	1	Printer Stand Grommet, Wire
	99A0705	2	Printer Stand Lock, Cam
	99A0706	1	Printer Stand Storage Shelf
	99A0707	1	Printer Stand Door Assembly, Cabinet
	99A0710	1	Printer Stand Filler, Rear Top Piece
	99A0711	1	Printer Stand Table Assembly, Large
	99A0712	1	Printer Stand Table Assembly, Small